

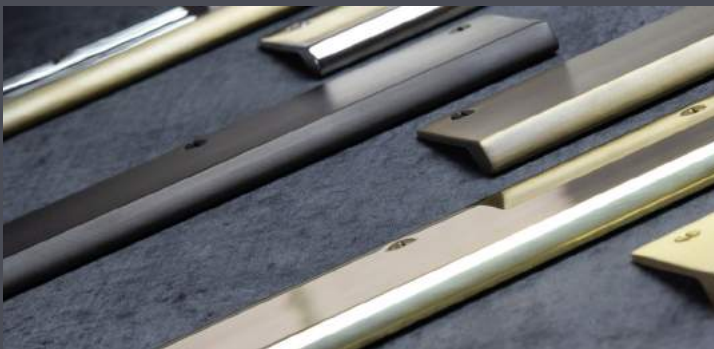


TURNSTYLE  
DESIGNS

MADE IN ENGLAND

# ECHO AND SONAR

## NEW PULL HANDLES



A MEMBER OF  
**ACID**  
ANTI-COPYING IN DESIGN



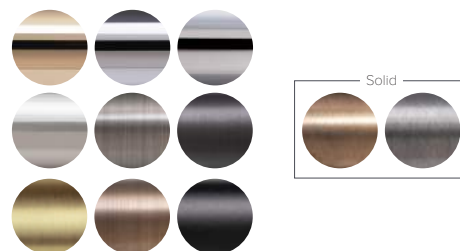
# Echo Solid Pull Handles

Designed by Christina Roberts, this pull was designed to support the look and feel of a British classic, the Range cooker. The most important aspect of the design was to have a deeper leading edge than others on the market, to create a stronger line and distinctive feel.

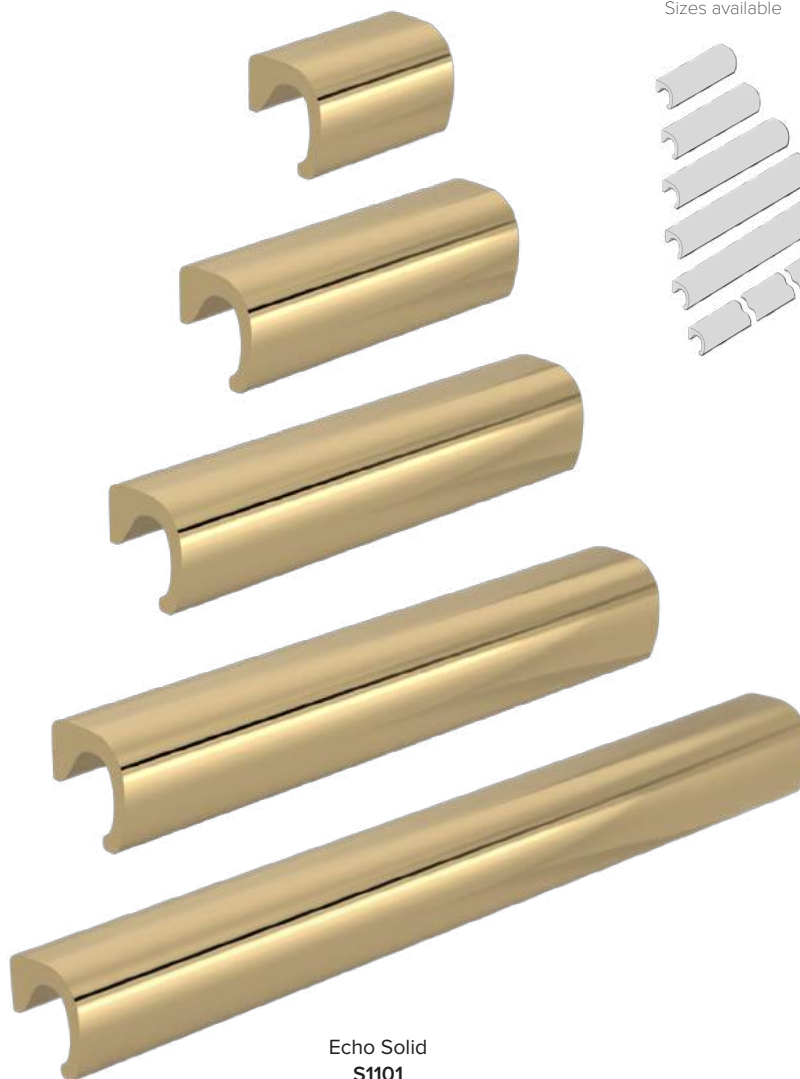
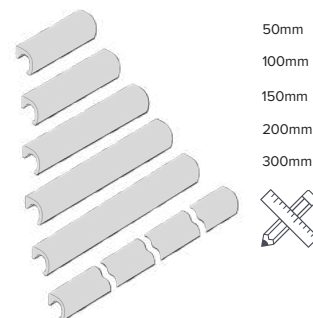
As part of our new Made to Measure service, you can select custom lengths up to 1 metre, allowing full flexibility. Available in our, 9 solid brass finishes as well as solid Burnished Brass and solid Burnished Nickel.

Shown here in Polished Brass.

Up to 11 finishes per design, visit [turnstyledesigns.com](http://turnstyledesigns.com)



Sizes available



Echo Solid  
S1101

NAME	CODE	LENGTH	DIMENSIONS (MM)		
			FIXING CENTRES	PROJECTION	HEIGHT
ECHO CABINET PULL - 50mm	S1101-50	50	32	27	30
ECHO CABINET PULL - 100mm	S1101-100	100	64	27	30
ECHO CABINET PULL - 150mm	S1101-150	150	128	27	30
ECHO CABINET PULL - 200mm	S1101-200	200	160	27	30
ECHO CABINET PULL - 300mm	S1101-300	300	256	27	30
MADE TO MEASURE	-	51-1000	-	27	30

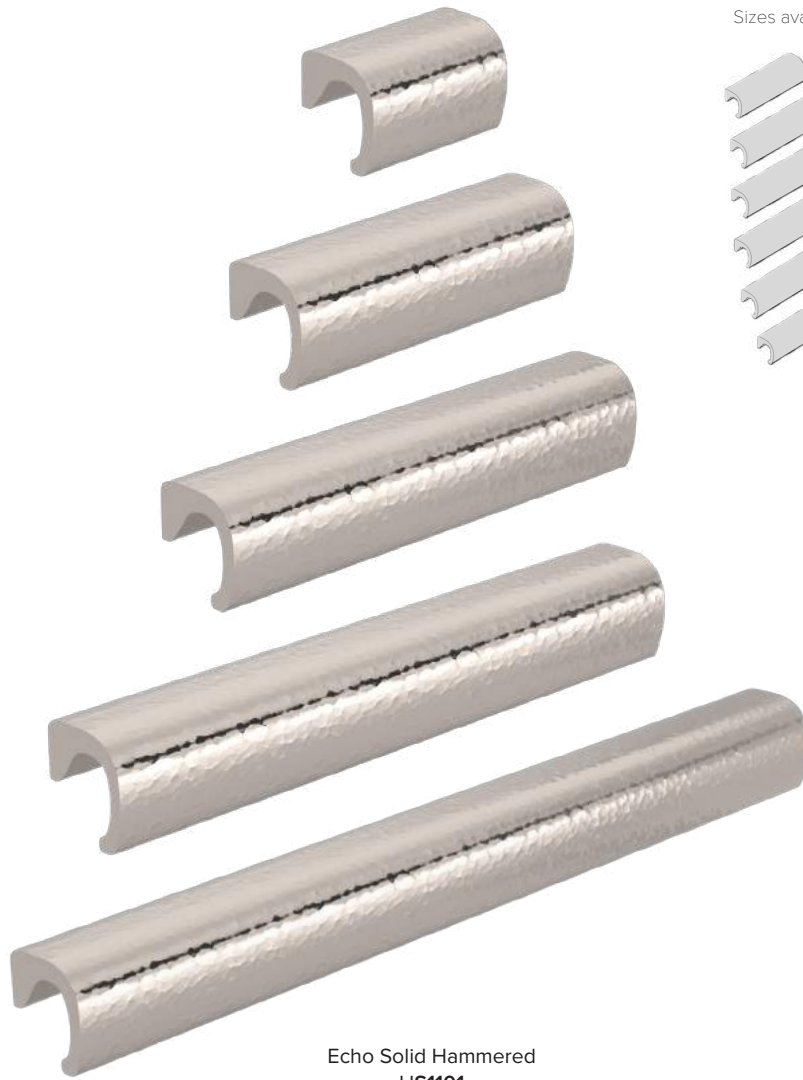
# Echo Solid Hammered Pull Handles

The Echo is also available hand-hammered, adding a further dimension and texture to the design. With six hammered finishes to choose from, these pulls will stand out in any project.

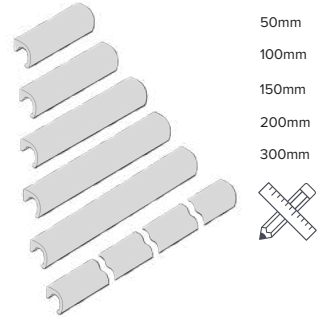
Part of our Made to Measure service, we can supply custom lengths up to 1 metre. Available in six different hammered metal finishes.

Shown here in Polished Nickel.

Up to 6 finishes per design, visit [turnstyledesigns.com](http://turnstyledesigns.com)



Sizes available



Echo Solid Hammered  
HS1101

NAME	CODE	LENGTH	DIMENSIONS (MM)		
			FIXING CENTRES	PROJECTION	HEIGHT
ECHO CABINET PULL - 50mm	HS1101-50	50	32	27	30
ECHO CABINET PULL - 100mm	HS1101-100	100	64	27	30
ECHO CABINET PULL - 150mm	HS1101-150	150	128	27	30
ECHO CABINET PULL - 200mm	HS1101-200	200	160	27	30
ECHO CABINET PULL - 300mm	HS1101-300	300	256	27	30
MADE TO MEASURE	-	51-1000	-	27	30

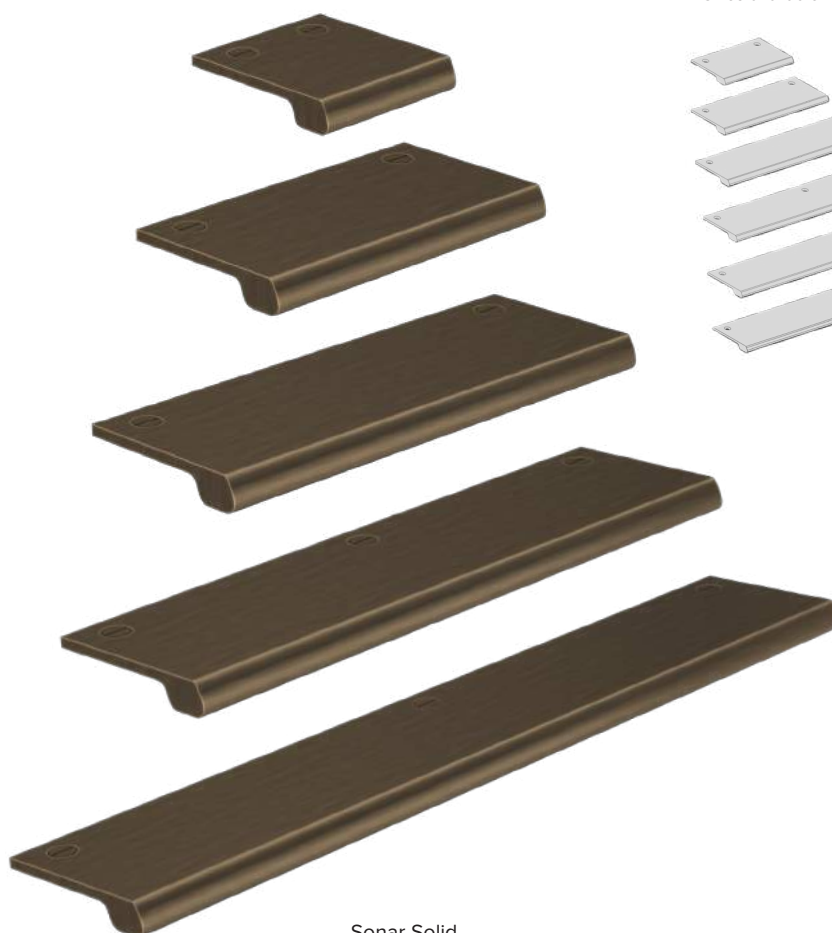
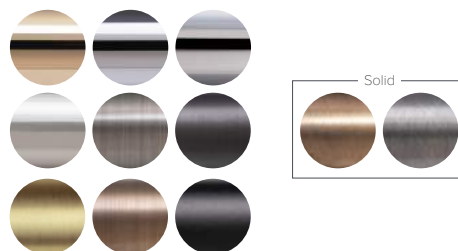
# Sonar Solid Edge Pull Handles

Our latest range of flush-fitted cabinet pulls, designed by Christina Roberts, are inspired by both sound and movement. Christina created a statement lip edge pull, by increasing the size for both practical and visual purposes.

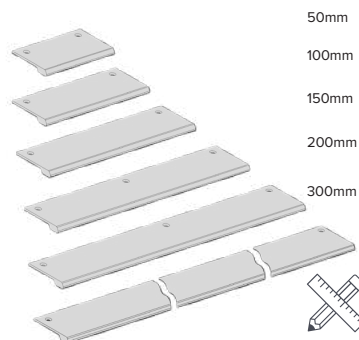
This product is part of our Made to Measure service where it can be supplied to any length up to 1 metre. Available in our, 9 solid brass finishes as well as solid Burnished Brass and solid Burnished Nickel.

Shown here in Fine Antique Brass.

Up to 11 finishes per design, visit [turnstyledesigns.com](http://turnstyledesigns.com)



Sizes available



50mm  
100mm  
150mm  
200mm  
300mm

Made to measure options available.

Sonar Solid  
**S1102**

NAME	CODE	LENGTH	DIMENSIONS (MM)		LIP
			PROJECTION	DEPTH	
SONAR EDGE PULL - 50mm	S1102-50	50	53	3	10
SONAR EDGE PULL - 100mm	S1102-100	100	53	3	10
SONAR EDGE PULL - 150mm	S1102-150	150	53	3	10
SONAR EDGE PULL - 200mm	S1102-200	200	53	3	10
SONAR EDGE PULL - 300mm	S1102-300	300	53	3	10
MADE TO MEASURE	-	51-1000	53	3	10