



## New design options for façades:

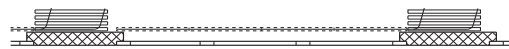
### HAWA-Aperto 60/H for stackable wooden sliding shutters up to 60 kg (132 lbs.).

#### The principle

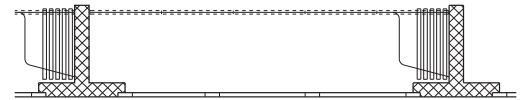
No matter how beautiful sliding hardware may be, it can at times be desirable to see slightly less of it. This is where HAWA-Aperto 60/H fits in perfectly. The system closes flush to provide a smooth cover over large glazed areas, allowing the shutters to be stacked away with ease and elegance. They offer no working surface for the wind when stacked parallel to the façade. However, they can also be stacked at a space-saving 90° to the running direction, for instance in a balcony alcove. HAWA-Aperto 60/H is tremendously flexible and thus virtually predestined for individual designs and special solutions. Please feel welcome to contact us – we will be pleased to help you to implement your ideas.

#### The benefits

- The first system on the market of parallel or 90° stacking wooden sliding shutters
- Provides shade for even the broadest window frontages
- Installations present a flush front when closed
- Excellent running characteristics, shutters can be moved individually and positioned anywhere
- Flexible, individual and durable design using corrosion-resistant materials



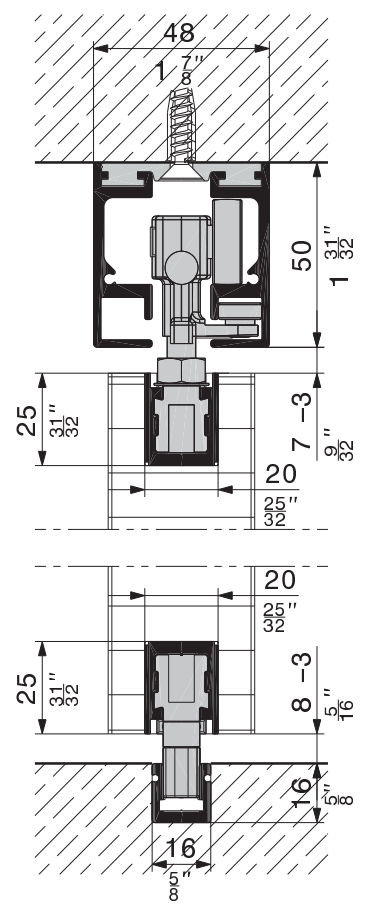
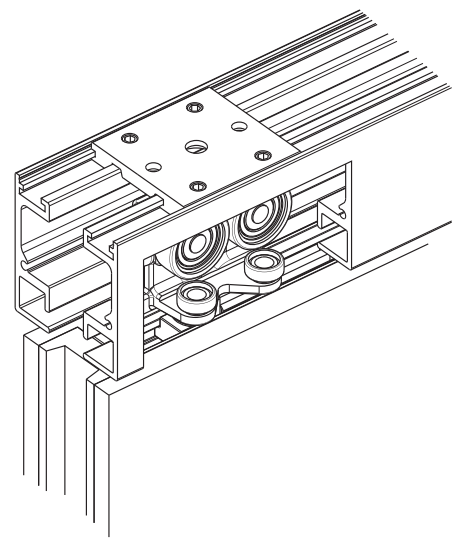
Example stacking parallel to the slide axis:  
Optimal space utilisation.



Example stacking 90° to the slide axis:  
The shutters run in front the parapet and provide shade on the balcony.



Subject to modification. Metric specifications are exact. Inches are approximate.



Subject to modification. Metric specifications are exact. Inches are approximate.